
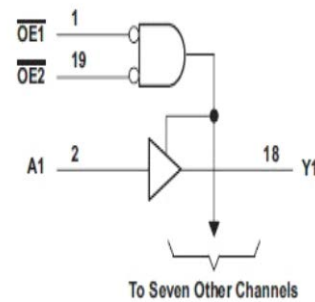
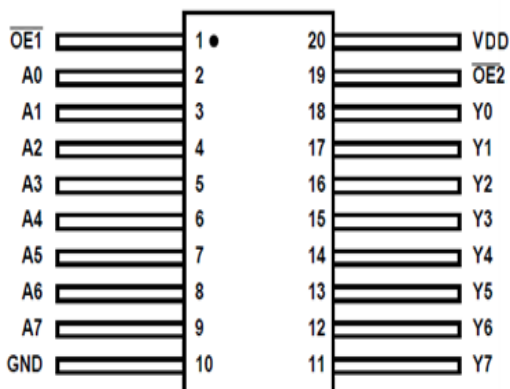
	OCTAL BUFFER SCL541	
SCL Part No.	SC9029-0	

PRODUCT DESCRIPTION:

SC9029-0 is radiation hardened non-inverting Octal buffer / Line driver have three state output. The output enable pins (OE1 and OE2) control the three-state outputs. If either enable signal is high the outputs will be in the high impedance state. For data output both enables (OE1 and OE2) must be low.

FEATURES:

- Power Supply Voltage 5V \pm 0.5V
- Cold Sparring feature at Input pins
- Three state outputs
- Low Power Dissipation, I_{DD} (Max.) < 1mA
- Balanced Propagation Delays. $t_{PLH} = t_{PHL}$
- Symmetrical Output Impedance
 $I_{OH} = I_{OL} = 8$ mA
- Operating Temperature:-55°C to 125°C.
- Pin compatible with HC541
- 20 Pin Ceramic-Dual-Flat package
- SCL's 180nm CMOS Technology



INPUT			OUTPUT
OE1	OE2	An	Yn
L	L	H	H
L	L	L	L
H	X	X	Z
X	H	X	Z