



ACTUATOR INTERFACE AND HEATER SWITCHING (AIHS) – ASIC3



SCL Part No.

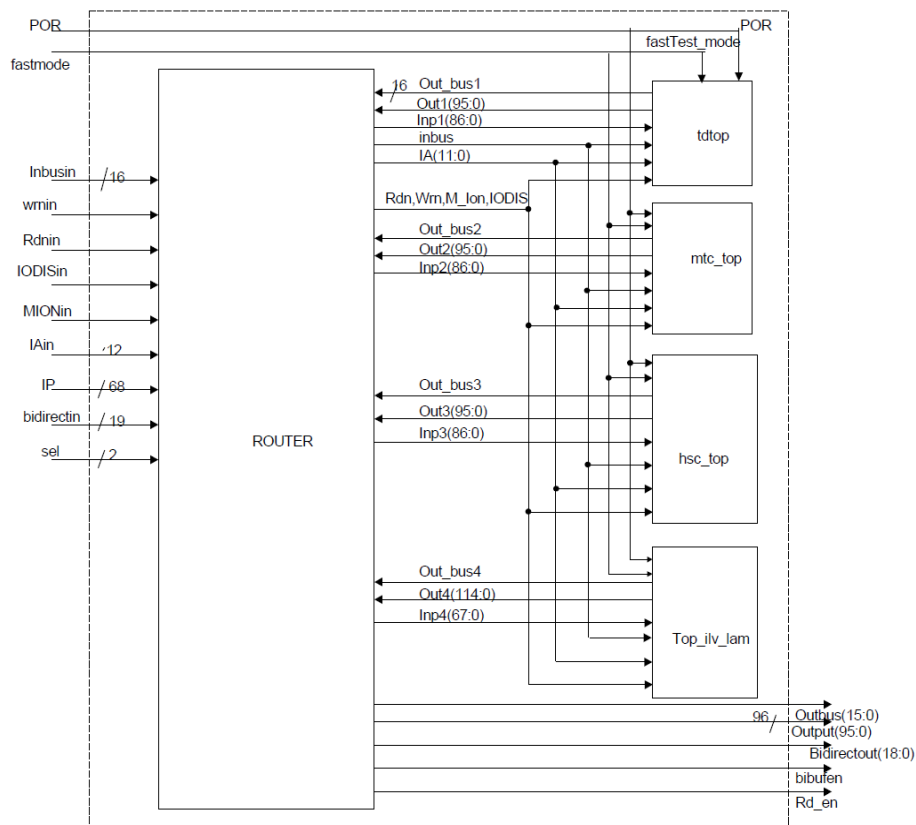
SC1249-0

PRODUCT DESCRIPTION:

The main functions of this ASIC are to provide interfaces for Heater Switching Logic and Isolation Latch Valve Interfaces. As this ASIC has to be interfaced with the processor, it includes necessary interface logics for this purpose also. The required functionalities are segregated into four main logic blocks. All the Input and Output signals are routed through de-multiplexers appropriately, using function select signals SEL [1:0].

FEATURES:

- Single Supply Operation 5V±0.5V
- Max. Operation Frequency 25 MHz
- Quiescent Supply Current 1 mA
- Output loading 12 mA
- Operating Temperature -55°C to 125°C
- Testability Features: Scan and Functional
- Packaged in 256 Pins, CQFP
- SCL's 180nm CMOS Technology



Block Diagram of AIHS ASIC