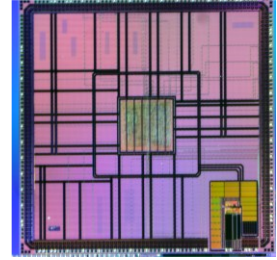


MESSAGE CHECKSUM (HASH) GENERATOR



SCL Part No.

SC1219-0

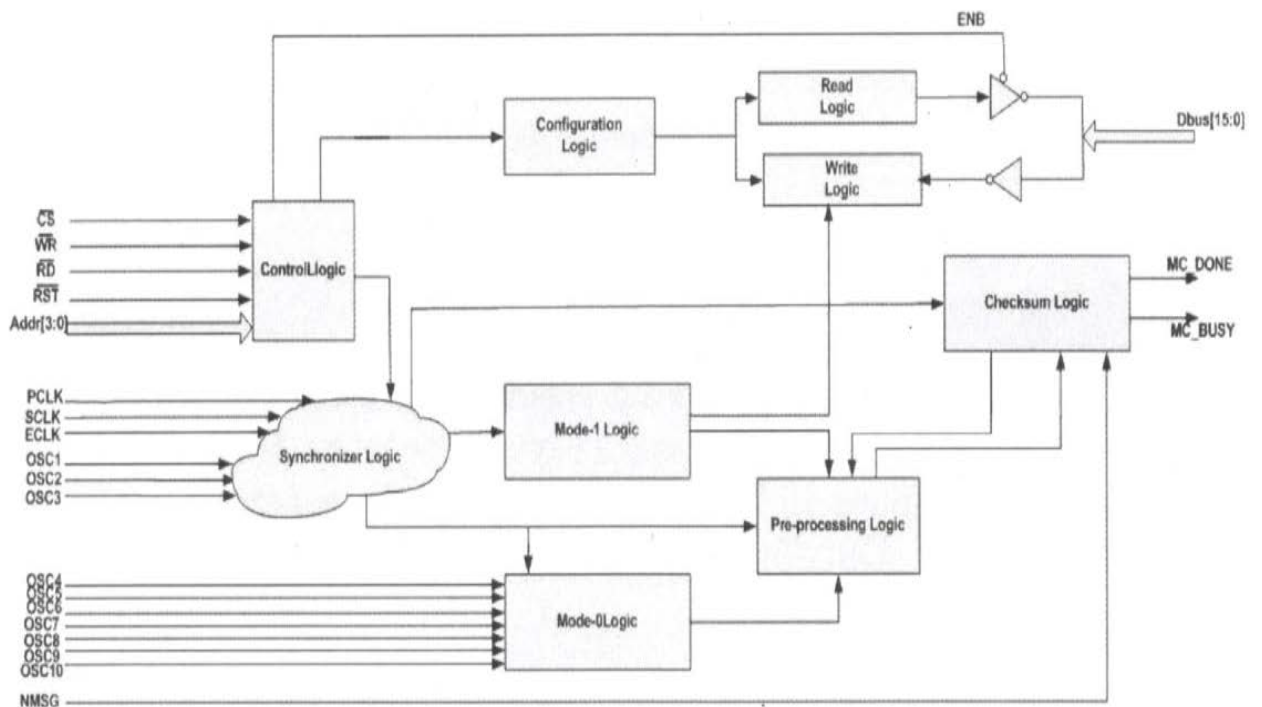
SC1137-0

PRODUCT DESCRIPTION:

Hash Generator is a message checksum generator and a peripheral chip having a standard interface, for use with general purpose processors. It has a 16-bit bidirectional data bus (Dbus [15:0]), address lines [3:0], control signals (CS_, WR_RD_, and RST_), configuration signal nm, 13 clocks and 2 output signals. The message checksum generator block generates message checksum in two modes of operation i.e. MODE-0 and MODE-1. It is implemented as digital logic. In mode0, data from a self-sustaining source is sampled periodically and post-processed for generating the message checksum. This is the free-running mode. In mode-1 a known input is applied, by the processor. Each block of data is written into message checksum generator block and further processed by the post-processing block to produce the checksum.

FEATURES:

- SC1219-0 (Power Supply: 5V±0.5V)
- SC1137-0 (Power Supply: 3.3V±0.3V)
- 4 mA Source/Sink Capability
- Supply Current: 3mA
- Operating Temperature: -55°C to 125°C
- SCL's 180nm CMOS Technology
- Die / Custom Package Options



Functional Block Diagram